

# **Operator's Manual**

## **Triple Rear Bagger**

**For FastAttach™ Compatible Garden Tractors**

### **Model**

**OEM-190-821 (for 46-inch decks)**

**MTD PRODUCTS INC. P.O. BOX 368022 CLEVELAND, OHIO 44136-9722**

PRINTED IN U.S.A.

FORM NO. 770-10207B  
(8/98)

---

## SECTION 1: FINDING YOUR MODEL NUMBER

This Operator's Manual is an important part of your new grass collector. It will help you assemble, prepare and maintain it. Please read and understand what it says.

Before you start to assemble this attachment, please locate the model plate and copy the information from it in this Operator's Manual for future reference. The information on the model plate is very important if you need help from our Customer Support Department or your authorized dealer.

- You can locate it by looking on the front, left portion of the plastic grass catcher cover. See Figure 1.

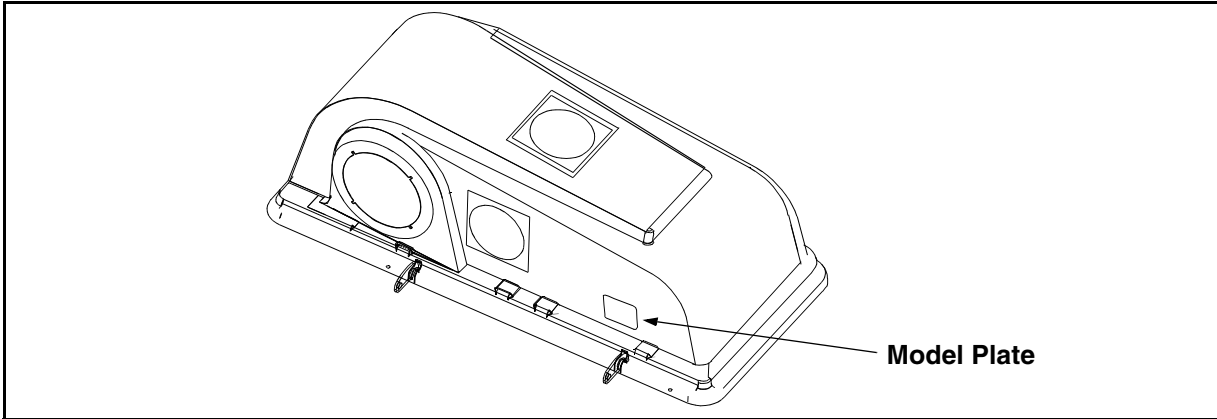


Figure 1

- The model plate will look like Figure 2.

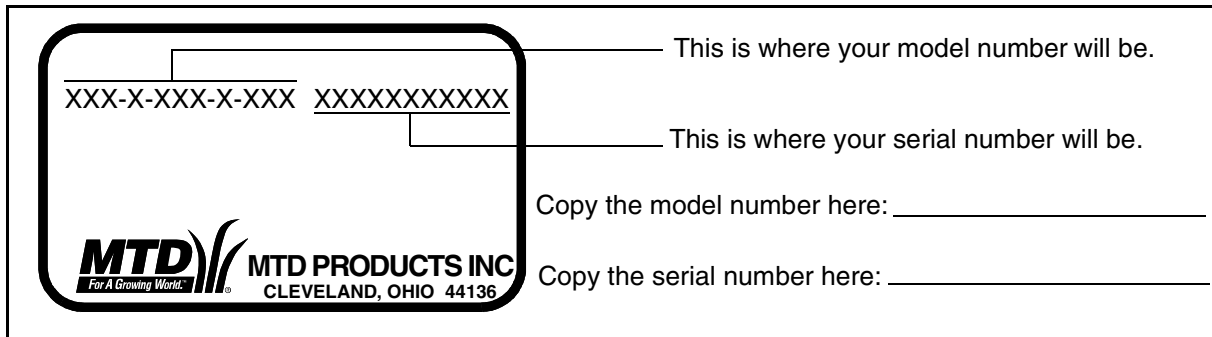


Figure 2

---

## SECTION 2: CALLING CUSTOMER SUPPORT

- **LOCATE YOUR MODEL NUMBER AND SERIAL NUMBER** — Record this information in the space provided. To find your unit's specific model number and serial number, see SECTION 1: FINDING YOUR MODEL NUMBER.
- If you are having difficulty assembling this product or if you have any questions regarding the controls, operation or maintenance of this unit, please call the Customer Support Department.
- Customer Support can be reached by dialing: **1- (330) 220-4MTD (4683)**  
or  
**1- (800)-800-7310**
- Please have your model number and serial number ready when you call.
- Although both numbers are important, you will be asked to enter only your **serial** number before your call can be processed.

---

## SECTION 3: IMPORTANT SAFE OPERATION PRACTICES



**WARNING:** THIS SYMBOL POINTS OUT IMPORTANT SAFETY INSTRUCTIONS WHICH, IF NOT FOLLOWED, COULD ENDANGER THE PERSONAL SAFETY AND/OR PROPERTY OF YOURSELF AND OTHERS. READ AND FOLLOW ALL INSTRUCTIONS IN THIS MANUAL BEFORE ATTEMPTING TO OPERATE YOUR LAWN MOWER. FAILURE TO COMPLY WITH THESE INSTRUCTIONS MAY RESULT IN PERSONAL INJURY. WHEN YOU SEE THIS SYMBOL, HEED ITS WARNING.



**WARNING:** The Engine Exhaust from this product contains chemicals known to the State of California to cause cancer, birth defects or other reproductive harm.



**DANGER:** Your lawn mower was built to be operated according to the rules for safe operation in this manual. As with any type of power equipment, carelessness or error on the part of the operator can result in serious injury. This lawn mower is capable of amputating hands and feet and throwing objects. Failure to observe the following safety instructions could result in serious injury or death.

### 1. GENERAL OPERATION

- Read, understand, and follow all instructions in the operator's manual and on the machine before starting. Keep this manual in a safe place for future and regular reference and for ordering replacement parts.
- Only allow responsible individuals familiar with the instructions to operate the machine. Know controls and how to stop the machine quickly.
- Do not put hands or feet under cutting deck or near rotating parts.
- Clear the area of objects such as rocks, toys, wire, etc., which could be picked up and thrown by the blade. A small object may have been overlooked and could be accidentally thrown by the mower in any direction and cause injury to you or a bystander. To help avoid a thrown objects injury, keep children, bystanders and helpers at least 75 feet from the mower while it is in operation. Always wear safety glasses or safety goggles during operation or while performing an adjustment or repair, to protect eyes from foreign objects. Stop the blade(s) when crossing gravel drives, walks or roads.
- Be sure the area is clear of other people before mowing. Stop machine if anyone enters the area.
- Never carry passengers.
- Disengage blade(s) before shifting into reverse and backing up. Always look down and behind before and while backing.
- Be aware of the mower and attachment discharge direction and do not point it at anyone. Do not operate the mower without either the entire grass catcher or the chute guard in place.
- Slow down before turning. Operate the machine smoothly. Avoid erratic operation and excessive speed.
- Never leave a running machine unattended. Always turn off blade(s), place transmission in neutral, set park brake, stop engine and remove key before dismounting.
- Turn off blade(s) when not mowing.
- Stop engine and wait until blade(s) comes to a complete stop before (a) removing grass catcher or unclogging chute, or (b) making any repairs, adjusting or removing any grass or debris.
- Mow only in daylight or good artificial light.
- Do not operate the machine while under the influence of alcohol or drugs.
- Watch for traffic when operating near or crossing roadways.
- Use extra care when loading or unloading the machine into a trailer or truck. This unit should not be driven up or down a ramp onto a trailer or truck under power, because the unit could tip over, causing serious personal injury. The unit must be pushed manually on a ramp to load or unload properly.
- Never make a cutting height adjustment while engine is running if operator must dismount to do so.
- Wear sturdy, rough-soled work shoes and close-fitting slacks and shirts. Do not wear loose fitting clothes or jewelry. They can be caught in moving parts. Never operate a unit in bare feet, sandals, or sneakers.
- Check overhead clearance carefully before driving under power lines, wires, bridges or low hanging tree branches, before entering or leaving buildings, or in any other situation where the operator may be struck or pulled from the unit, which could result in serious injury.

- Disengage all attachment clutches, thoroughly depress the brake pedal, and shift into neutral before attempting to start engine.
- Your mower is designed to cut normal residential grass of a height no more than 10". Do not attempt to mow through unusually tall, dry grass (e.g., pasture) or piles of dry leaves. Debris may build up on the mower deck or contact the engine exhaust presenting a potential fire hazard.

## 2. SLOPE OPERATION

Slopes are a major factor related to loss of control and tip-over accidents which can result in severe injury or death. All slopes require extra caution. If you cannot back up the slope or if you feel uneasy on it, do not mow it.

For your safety, use the slope gauge included as part of your tractor's Operator's Manual to measure slopes before operating this unit on a sloped or hilly area. If the slope is greater than 15° as shown on the slope gauge, do not operate this unit on that area or serious injury could result.

### DO:

- Mow up and down slopes, not across.
- Remove obstacles such as rocks, limbs, etc.
- Watch for holes, ruts or bumps. Uneven terrain could overturn the machine. Tall grass can hide obstacles.
- Use slow speed. Choose a low enough gear so that you will not have to stop or shift while on the slope. Always keep machine in gear when going down slopes to take advantage of engine braking action.
- Follow the manufacturer's recommendations for wheel weights or counterweights to improve stability.
- Use extra care with grass catchers or other attachments. These can change the stability of the machine.
- Keep all movement on the slopes slow and gradual. Do not make sudden changes in speed or direction. Rapid engagement or braking could cause the front of the machine to lift and rapidly flip over backwards which could cause serious injury.
- Avoid starting or stopping on a slope. If tires lose traction, disengage the blade(s) and proceed slowly straight down the slope.

### DO NOT:

- Do not turn on slopes unless necessary; then, turn slowly and gradually downhill, if possible.
- Do not mow near drop-offs, ditches or embankments. The mower could suddenly turn over if a wheel is over the edge of a cliff or ditch, or if an edge caves in.
- Do not mow on wet grass. Reduced traction could cause sliding.
- Do not try to stabilize the machine by putting your foot on the ground.
- Do not use grass catcher on steep slopes.

## 3. CHILDREN

Tragic accidents can occur if the operator is not alert to the presence of children. Children are often attracted to the machine and the mowing activity. Never assume that children will remain where you last saw them.

- Keep children out of the mowing area and in watchful care of an adult other than the operator.
- Be alert and turn machine off if children enter the area.
- Before and when backing, look behind and down for small children.
- Never carry children, even with the blades off. They may fall off and be seriously injured or interfere with the safe machine operation.
- Never allow children under 14 years old to operate the machine. Children 14 years and over should only operate machine under close parental supervision and proper instruction.
- Use extra care when approaching blind corners, shrubs, trees or other objects that may obscure your vision of a child or other hazard.
- Remove key when machine is unattended to prevent unauthorized operation.

## 4. SERVICE

- Use extreme care in handling gasoline and other fuels. They are extremely flammable and the vapors are explosive.
- Use only an approved container.
- Never remove fuel cap or add fuel with the engine running. Allow engine to cool at least two minutes before refueling.

- Replace fuel cap securely and wipe off any spilled fuel before starting the engine as it may cause a fire or explosion.
- Extinguish all cigarettes, cigars, pipes and other sources of ignition.
- Never refuel the machine indoors because fuel vapors will accumulate in the area.
- Never store the fuel container or machine inside where there is an open flame or spark, such as a gas hot water heater, space heater or furnace.
- Never run a machine inside a closed area.
- To reduce fire hazard, keep the machine free of grass, leaves or other debris build-up. Clean up oil or fuel spillage. Allow machine to cool at least 5 minutes before storing.
- Before cleaning, repairing or inspecting, make certain the blade and all moving parts have stopped. Disconnect the spark plug wire, and keep the wire away from the spark plug to prevent accidental starting.
- Check the blade and engine mounting bolts at frequent intervals for proper tightness. Also, visually inspect blade for damage (e.g., excessive wear, bent, cracked). Replace with blade which meets original equipment specifications.
- Keep all nuts, bolts and screws tight to be sure the equipment is in safe working condition.
- Never tamper with safety devices. Check their proper operation regularly. Use all guards as instructed in this manual.
- After striking a foreign object, stop the engine, remove the wire from the spark plug and thoroughly inspect the mower for any damage. Repair the damage before restarting and operating the mower.
- Grass catcher components are subject to wear, damage and deterioration, which could expose moving parts or allow objects to be thrown. For your safety protection, frequently check components and replace with manufacturer's recommended parts when necessary.
- Mower blades are sharp and can cut. Wrap the blade(s) or wear gloves and use extra caution when servicing blade(s).
- Check brake operation frequently. Adjust and service as required.
- Muffler, engine and belt guards become hot during operation and can cause a burn. Allow to cool down before touching.
- Do not change the engine governor settings or overspeed the engine. Excessive engine speeds are dangerous.
- Observe proper disposal laws and regulations. Improper disposal of fluids and materials can harm the environment and the ecology.
- Prior to disposal, determine the proper method to dispose of waste from your local Environmental Protection Agency. Recycling centers are established to properly dispose of materials in an environmentally safe fashion.
- Use proper containers when draining fluids. Do not use food or beverage containers that may mislead someone into drinking from them. Properly dispose of the containers immediately following the draining of fluids.
- DO NOT pour oil or other fluids into the ground, down a drain or into a stream, pond, lake or other body of water. Observe Environmental Protection Agency regulations when disposing of oil, fuel, coolant, brake fluid, filters, batteries, tires and other harmful waste.



**WARNING - YOUR RESPONSIBILITY:** Restrict the use of this power machine to persons who read, understand and follow the warnings and instructions in this manual and on the machine.



Figure 3 Safety labels found on your unit

## SECTION 4: TO THE OWNER

Model 821 Triple Rear Bagger Kit is a grass collection system designed for use on FastAttach™ Compatible Garden Tractors equipped with a 46-inch cutting deck only.

The instructions in this manual are divided into sections. Carefully read all sections and study the illustrations to ensure proper installation and usage of this attachment. Read and observe all WARNING and CAUTION statements. They are included to provide for the protection of the equipment installer and user, and to ensure the prolonged service life of the equipment.

**NOTE:** References to LEFT and RIGHT indicate the left and right sides of the tractor when facing forward in the operator's position. Reference to the FRONT indicates the grille end; to the REAR the drawbar end.

## SECTION 5: CONTENTS OF CARTON

Before beginning installation, remove all parts from the carton to make sure everything is present. Carton contents are listed below and shown in Figure 4. Hardware part number are shown in parentheses.

One Chute Tube

One Discharge Chute Assembly

One Extension Tube

One set of Blades

Three Grass Bag Assemblies

One Grass Catcher Cover Assembly

One Bracket Assembly w/ Clevis Pin (711-0309A)

& Hairpin Clip (714-0117) in place

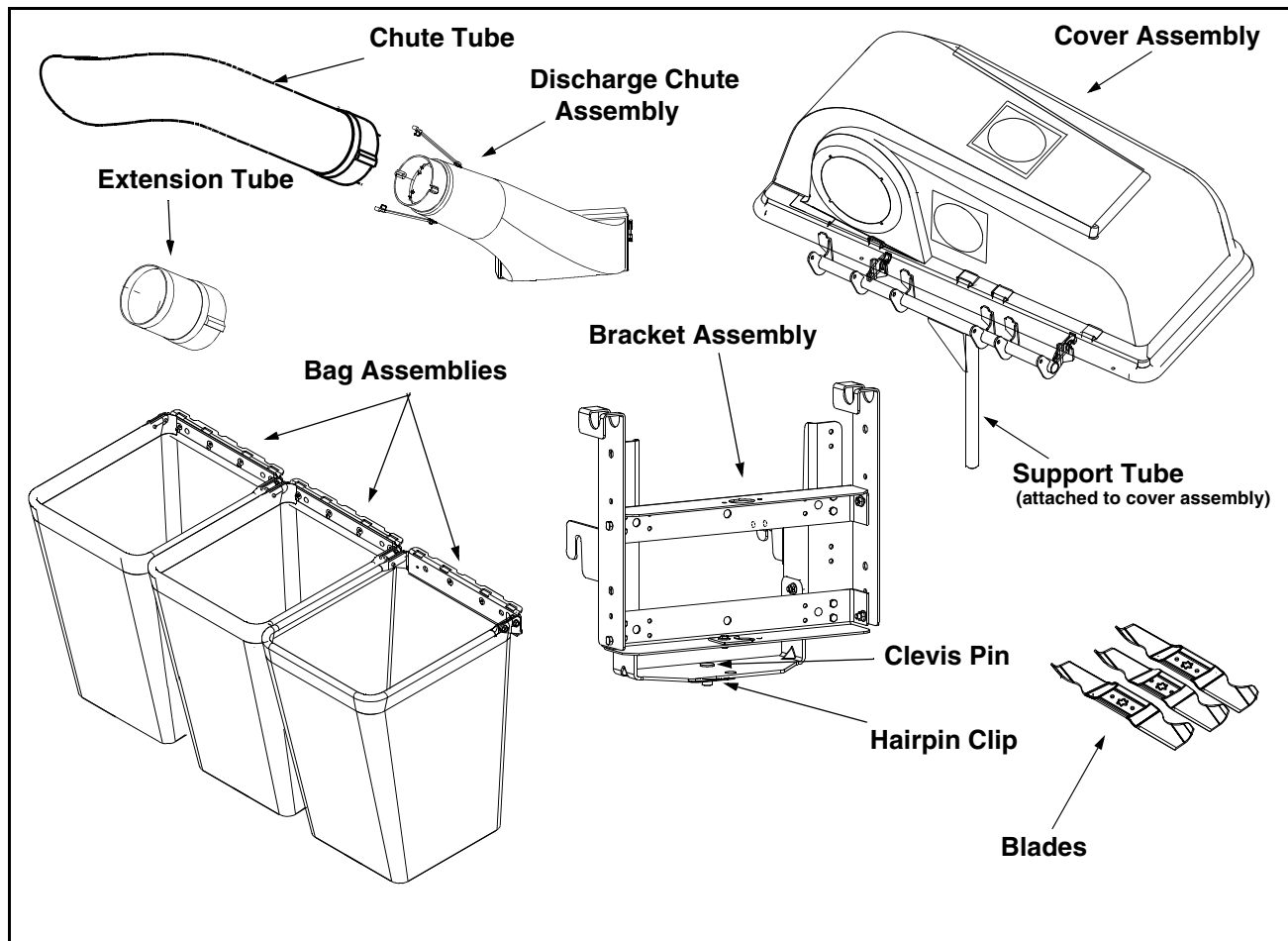


Figure 4

## SECTION 6: ASSEMBLY



**Warning:** Before beginning installation, place the tractor on a firm and level surface. Place the PTO in the disengaged (OFF) position, stop the tractor engine and set the parking brake.

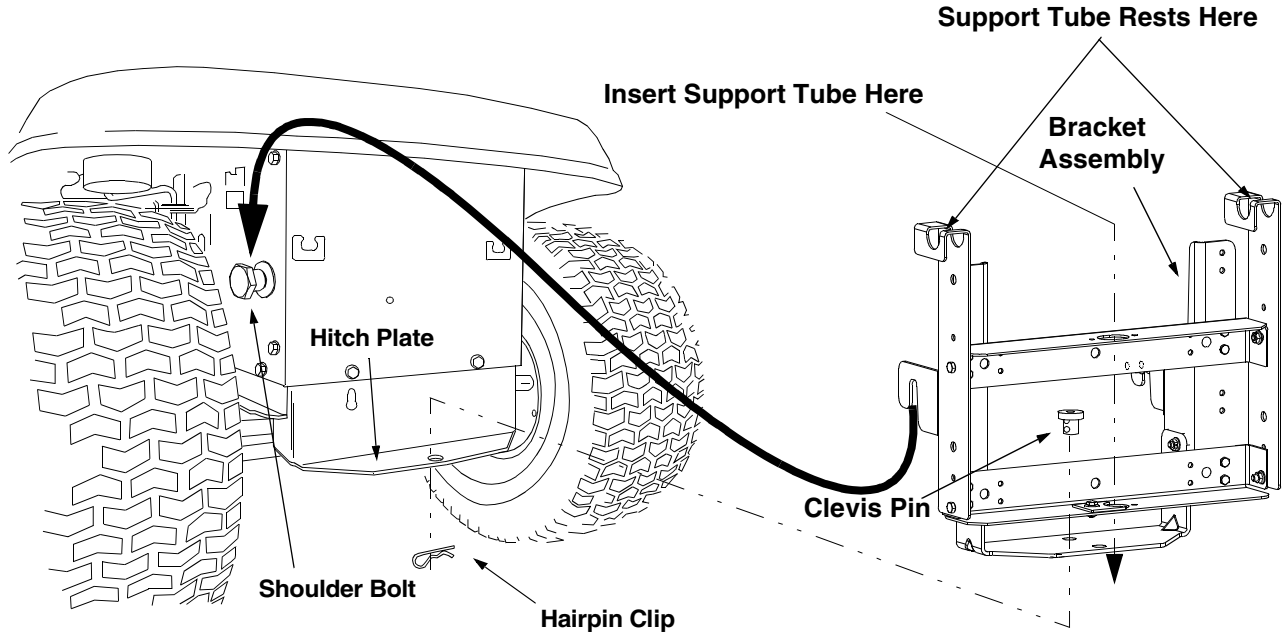


Figure 5

### MOUNTING THE BRACKET ASSEMBLY

1. To ease the following procedures, tilt the seat forward and leave it in that position until the grass collector is fully attached.
2. Remove the hairpin clip and clevis pin from the hole in the rear of the bracket assembly. Refer to Figure 4
3. Position the hooked ends of the bracket assembly to the outside of the hitch plate and over the shoulder bolts. Refer to Figure 5.
4. Reinsert the clevis pin through the aligned holes in both the bracket assembly and the hitch plate. Affix with the hairpin clip. Refer to Figure 5.

**IMPORTANT:** There are two holes found in the clevis pin. Be certain to insert the hairpin clip in the UPPER hole to properly secure the bracket assembly to the hitch plate

### ATTACHING THE COVER AND BAGS

1. Place the cover assembly's support tube (refer to Figure 4) in position on the rear of unit by sliding the support tube down through the holes in the center of the bracket assembly. Refer to Figure 5.

2. Place the cover assembly in position so that the support tube rests on both sides of the bracket assembly. Refer to Figure 5. Allow the plastic cover to rest in the "open" position on the back of the tractor's seat for ease of assembly.
3. Attach the grass bags using the slots as shown in Figure 6.

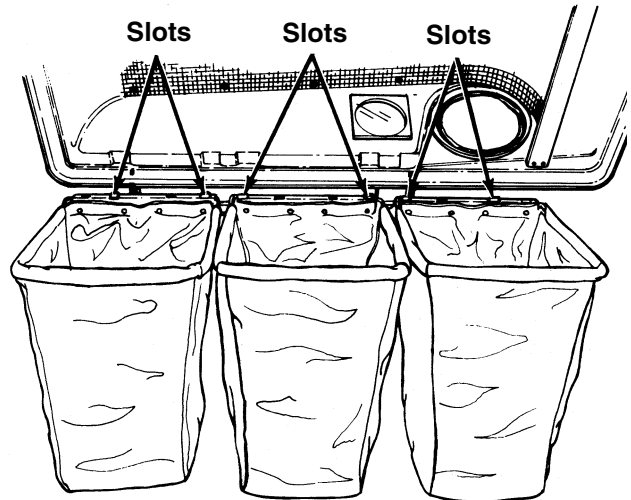


Figure 6

4. Close the cover on the grass collector.

## ATTACHING THE CUTTING BLADES



**WARNING:** Cutting blades are sharp. Always protect hands by wearing heavy leather work gloves to grasp blades.

Remove the blades from your tractor's cutting deck as follows.

1. Remove the cutting deck from beneath the tractor, (refer to DECK REMOVAL in the MAINTENANCE section of your tractor's Operator's Manual for detailed instructions) then gently flip the deck over to expose its underside.
2. Place a block of wood between the center deck housing baffle and the cutting blade to act as a stabilizer. See Figure 7.
3. Use a 15/16" wrench to remove the hex flange nut that secures the blade to the spindle assembly. See Figure 7.

**NOTE:** The hex flange nut has a right-handed thread pattern. Do NOT attempt to force the nut in the incorrect direction. Doing so may damage the nut and create a safety hazard.

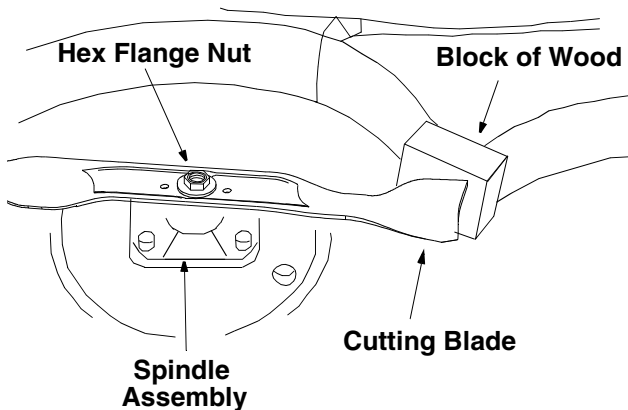


Figure 7

4. Install the new blades packed with the bagger. Be sure to install the blade with the side of the blade marked "Bottom" (or with a part number stamped in it) facing the ground when the mower is in the operating position.

**IMPORTANT:** Mount the smaller of the three blades to the center spindle. The remaining two blades are interchangeable.

**IMPORTANT:** Use a torque wrench to tighten the blade spindle hex flange nut to between 70 foot-pounds and 90 foot-pounds.

5. Remount the cutting deck.

## ATTACHING THE DISCHARGE CHUTE

1. Raise the deck to its highest position by placing the lift lever in the top notch on the right fender. Raise the chute deflector on the deck.
2. Place the top edge of the discharge chute in position over the chute opening on the deck, then push down on the discharge chute so the front edge fits snugly around the cutting deck opening. See Figure 8.

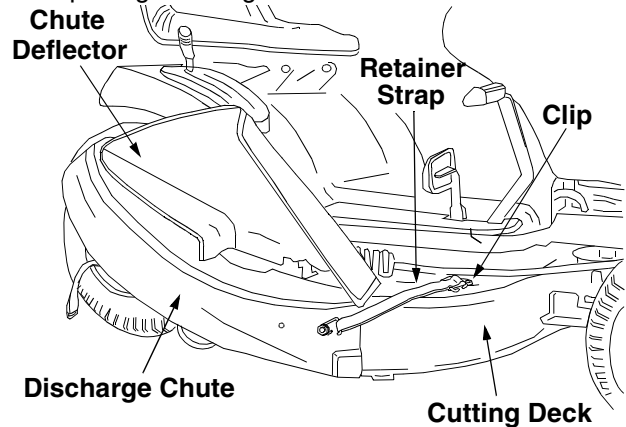


Figure 8

3. Fasten the discharge chute in position by hooking the retainer strap over the retainer clip on the top\* of the deck. See Figure 8.

**\*NOTE:** On later model decks, the retainer clip may be found on the SIDE or on the FRONT SKIRT area of the deck rather than on the top of it.

4. Insert the upper end of the chute tube into the hole in the cover assembly, then insert the extension tube between the discharge chute and the chute tube as shown in Figure 9.
5. Secure by placing the ends of the retainer straps on the discharge chute over the clips on the chute tube. See Figure 9.



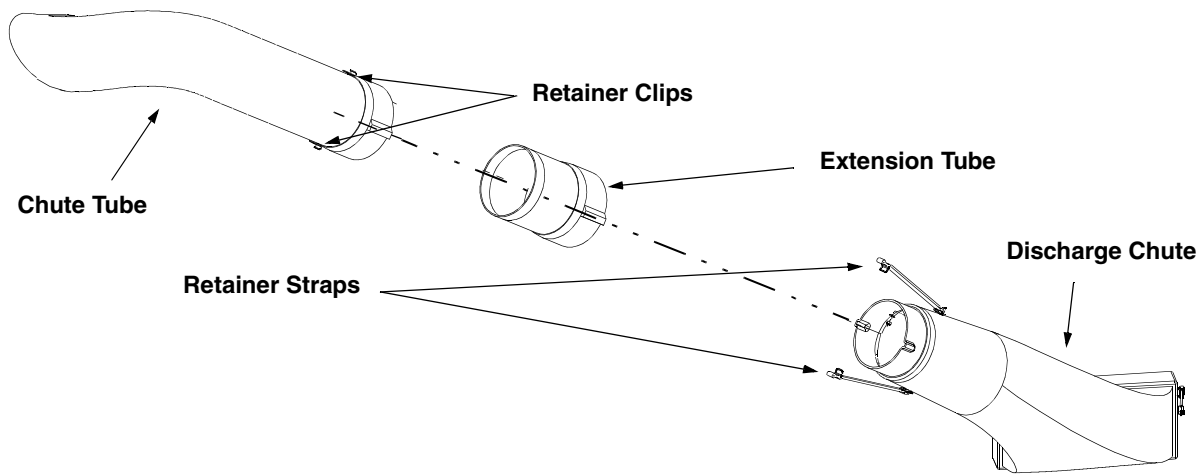


Figure 9

## SECTION 7: OPERATION

### GRASS BAG REMOVAL

1. To open the cover, simply lift up on cover. The chute tube assembly does not have to be removed.
2. To remove the grass bags, lift up on bag and unhook the frame of the bag from the support tube assembly. See Figure 10A.
3. To empty the grass, use the handle which is provided on the bottom of each bag. See Figure 10B.

**NOTE:** Under normal usage, the grass collector is subject to wear and should be checked periodically. Be certain any replacement bag complies with the mower manufacturer's recommendation. Wash grass bag periodically with water. Allow to air dry. Do not use heat.

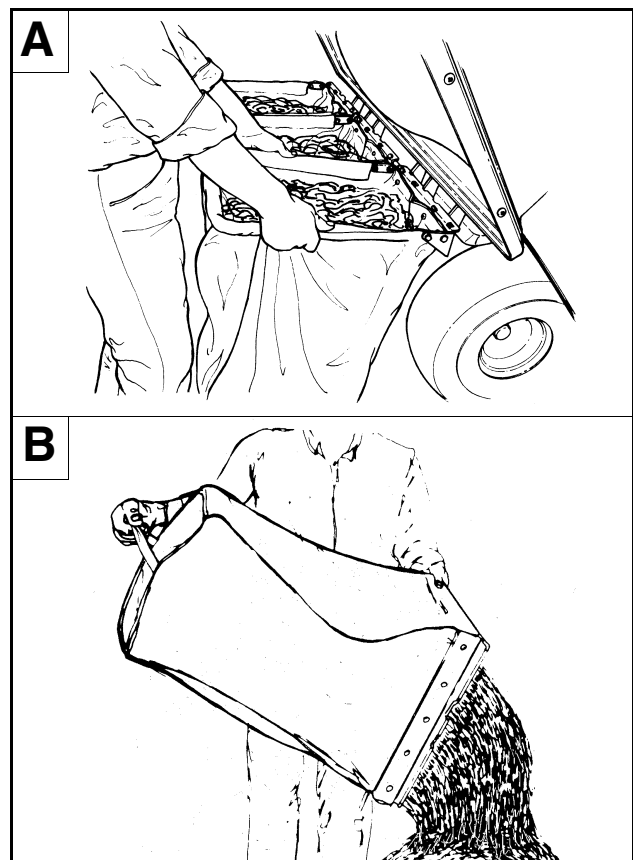
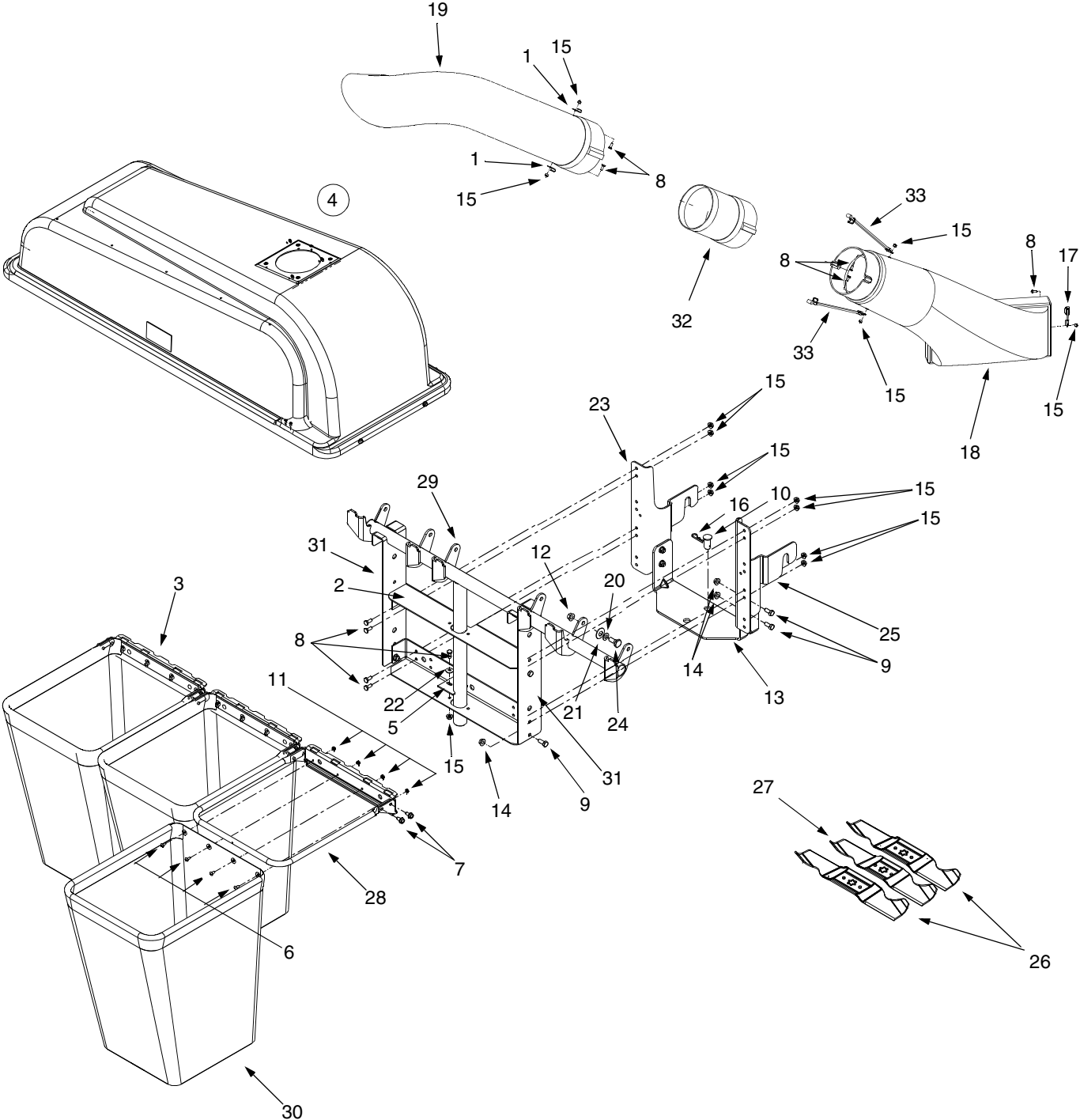


Figure 10

# Model 821



# Model 821

REF. NO.	PART NO.	DESCRIPTION
1	16606	Retainer Hook Bracket
2	17200A	Catcher Support Bracket
3	17201A	Bag Frame Hanger Bracket
4	17204	Cover Assembly Complete
5	17247	Support Tube Bracket
6	710-0473	Screw, #10-24 x .5
7	710-0604	Self Tapping Screw, 5/16-18 x .625
8	710-0751	Hex Cap Screw, 1/4-20 x .62
9	710-3008	Hex Cap Screw, 5/16-18 x .75
10	711-0309A	Clevis Pin
11	712-0272	Hex Sems Nut, 10-24
12	712-0431	Hex Flange Lock Nut, 3/8-16
13	783-0765	Support Cross Bracket
14	712-3004A	Hex Flange Lock Nut, 5/16-18
15	712-3027	Hex Flange Lock Nut, 1/4-20
16	714-0117	Internal Cotter Pin, .148 x 3
17	723-0383	Retainer Strap Assembly
18	731-0925B	Discharge Chute
19	731-0926	Chute Tube
20	736-0108	Flat Washer, .51 x .75 x .033
21	736-0253	Belleville Washer
22	736-0270	Bell Washer, .265 x .75 x .062
23	783-0764	LH Catcher Support Bracket
24	738-0380	Shoulder Screw, .50 x .27, 3/8-16
25	783-0673	RH Catcher Support Bracket
26	742-0644	Star-center Blade, 16.28
27	742-0645	Star-center Blade, 14.88
28	749-0745A	Grassbag Frame Tube
29	749-0750	Catcher Support Tube
30	764-0251	Grassbag
31	783-0601	Catcher Support Bracket
32	731-2299	Extension Tube
33	723-0476	Retainer Strap Assembly

# MANUFACTURER'S LIMITED WARRANTY

The limited warranty set forth below is given by MTD PRODUCTS INC ("MTD") with respect to new merchandise purchased and used in the United States, its possessions and territories.

MTD warrants this product against defects in material and workmanship for a period of two (2) years commencing on the date of original purchase and will, at its option, repair or replace, free of charge, any part found to be defective in material or workmanship. This limited warranty shall only apply if this product has been operated and maintained in accordance with the Operator's Manual furnished with the product, and has not been subject to misuse, abuse, commercial use, neglect, accident, improper maintenance, alteration, vandalism, theft, fire, water or damage because of other peril or natural disaster. Damage resulting from the installation or use of any accessory or attachment not approved by MTD Products Inc. for use with the product(s) covered by this manual will void your warranty as to any resulting damages.

Normal wear parts or components thereof are subject to separate terms as follows: All normal wear part or component failures will be covered on the product for a period of 90 days regardless of cause. After 90 days, but within the two year period, normal wear part failures will be covered ONLY IF caused by defects in material or workmanship of OTHER component parts. Normal wear parts and components include, but are not limited to, belts, blades, blade adapters, grass bags, rider deck wheels, seats, snow thrower skid shoes, shave plates and tires. Batteries are covered by a 90-day limited replacement warranty.

**HOW TO OBTAIN SERVICE:** Warranty service is available, WITH PROOF OF PURCHASE THROUGH YOUR LOCAL AUTHORIZED SERVICE DEALER. To locate the dealer in your area, please check for a listing in the Yellow Pages or contact the Customer Service Department of MTD PRODUCTS INC by calling 1-800-800-7310 or writing to P.O. Box 368022, Cleveland, Ohio 44136-9722.

**This limited warranty does not provide coverage in the following cases:**

- a. The engine or component parts thereof. These items carry a separate manufacturer's warranty. Please refer to the applicable manufacturer's warranty on these items.
- b. Log splitter pumps, valves and cylinders have a separate one year warranty.

- c. Routine maintenance items such as lubricants, filters, blade sharpening and tune-ups, or adjustments such as brake adjustments, clutch adjustments or deck adjustments; and normal deterioration of the exterior finish due to use or exposure.
- d. MTD does not extend any warranty for products sold or exported outside of the United States of America, its possessions and territories, except those sold through MTD's authorized channels of export distribution.

**No implied warranty, including any implied warranty of merchantability or fitness for a particular purpose, applies after the applicable period of express written warranty above as to the parts as identified. No other express warranty or guaranty, whether written or oral, except as mentioned above, given by any person or entity, including a dealer or retailer, with respect to any product shall bind MTD. During the period of the Warranty, the exclusive remedy is repair or replacement of the product as set forth above.** (Some states do not allow limitations on how long an implied warranty lasts, so the above limitation may not apply to you.)

**The provisions as set forth in this Warranty provide the sole and exclusive remedy arising from the sales. MTD shall not be liable for incidental or consequential loss or damages including, without limitation, expenses incurred for substitute or replacement lawn care services, for transportation or for related expenses, or for rental expenses to temporarily replace a warranted product.** (Some states do not allow the exclusion or limitation of incidental or consequential damages, so the above exclusion or limitation may not apply to you.)

In no event shall recovery of any kind be greater than the amount of the purchase price of the product sold. Alteration of the safety features of the product shall void this Warranty. You assume the risk and liability for loss, damage, or injury to you and your property and/or to others and their property arising out of the use or misuse or inability to use the product.

This limited warranty shall not extend to anyone other than the original purchaser, original lessee or the person for whom it was purchased as a gift.

**How State Law Relates to this Warranty:** This limited warranty gives you specific legal rights, and you may also have other rights which vary from state to state.